

# QUBIC UNO



Square shaped surface mounted or suspended luminaire. Top quality COB LED module with colour consistency MacAdams  $\leq 3$ , extensive portfolio of lumen ranges, CCTs and spectra. Variety of drivers: standard EVG on/off, DALI and wireless controlled as MasterConnect or Casambi on request. Remote, wireless occupancy & daylight sensor available to allow significant energy savings and wireless connectivity. Mounting on any type of ceiling. Body is made of aluminium and steel. Standard colour RAL 9003S, any other colour from basic RAL range available at no extra cost. Variety of optics, lumen outputs and drivers allows to use this luminaire in different types of lighting projects.

Luminous flux & Luminaire Power tolerance up to 10%. System power consumption depends on components used. Luminous efficacy depends on type of LED's, electronics, optics and diffusor. The most up to date technical parameters can be found on our website and in database of LDT files.

Lighting direction:



PDF datasheet:



# QUBIC UNO

<b>Mounting:</b>	Surface mounted
<b>Body material:</b>	Steel and aluminium
<b>Colour:</b>	Standard white RAL 9003M, other RAL colours on request
<b>Lumen output:</b>	Standard up to 2000 lm, any other on request
<b>LED module:</b>	Signify (Philips), Tridonic or equivalent COB LED module
<b>Colour temperature:</b>	2700/3000/4000K, other on request
<b>Colour Rendering:</b>	CRI>80 in standard, other on request
<b>Driver:</b>	EVG on-off/DALI/MC ( MasterConnect )/Casambi, other on request
<b>Wireless control:</b>	Philips MasterConnect / Casambi, other on request
<b>Daylight/Occupancy sensor:</b>	Wireless MCS sensor
<b>Emergency unit:</b>	N/A
<b>Operating temperature range:</b>	0°C ... +35°C
<b>IP Class:</b>	IP20 in standard
<b>Power:</b>	220-240V 50/60Hz
<b>Lighting direction:</b>	Direct
<b>Light distribution:</b>	Symmetric
<b>Optics:</b>	Reflector
<b>Beam angle:</b>	16°/24°/36°/54°
<b>Diffusor:</b>	CG clear glass on request
<b>Warranty:</b>	5 Years standard warranty

**QUBIC UNO** surface mounted, light down



Energy saving MasterConnect wireless lighting control system with daylight and movement detection technology on request.



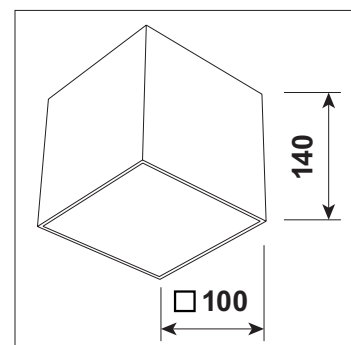
All current index numbers, lumen outputs, power consumption and many other technical information are available in our 2024 pricelist. Details on wireless lighting control systems on page number 896.



MCS wireless daylight&occ sensor



XCS wireless switch



Basic dimensions